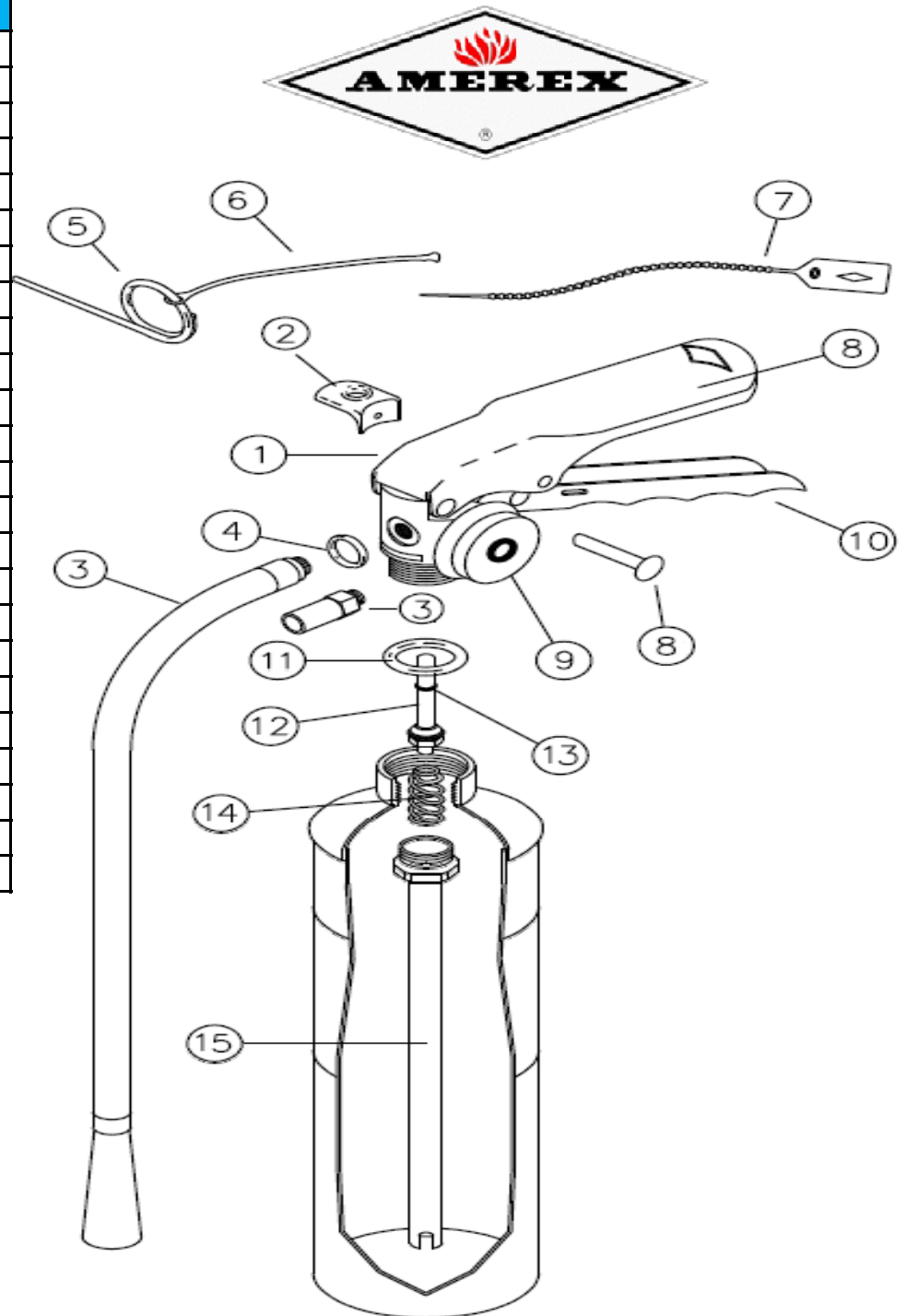


Amerex ABC Fire Extinguisher Pictogram

No.	Stock No.	Description	Model(s) used on.
1	AM11823	Valve Body	B417T, B402, B402T & B456
1	AM11824	Valve Body	A411
2	AM14220	Hanger Loop w/Screw	B417T, B402, B402T, B456 & A411
3	AM01926	Nozzle (.129)	B417T
3	AM12494	Hose & Horn Assy	B402 & B402T
3	AM05248	Hose & Horn Assy	B443
3	AM05564	Hose & Horn Assy	B456
3	AM11221	Hose & Horn Assy	A411
4	AM01532	Hose Gasket	B402, B402T & B456
4	AM06978	Hose Gasket	A411
5	L1	Pull Pin	B417T, B402, B402T, B456 & A411
6	NC532	Chain, Nylon for Pull Pin	B417T, B402, B402T, B456 & A411
7	FESBL	Tamper Seal	B417T, B402, B402T, B456 & A411
8	AM11825	Lever & Rivet	B417T, B402, B402T, B456 & A411
9	K5	Gauge, 195 psi	B417T, B402, B402T, B456 & A411
10	AM11826	Handle & Rivet	B402, B402T, B456 & B417T
10	AM12405	Handle & Rivet	A411
11	212	Collar O-Ring	B417T, B402, B402T, B456 & A411
12	AM6092	Valve Stem Assy.	B417T, B402, B402T, B456 & A411
13	AM05235	Valve Stem O-Ring	B417T, B402, B402T, B456 & A411
14	AM01074	Spring	B417T, B402, B402T, B456 & A411
15	AM01519	Downtube/Retainer Assy	B456
15	AM11674	Downtube/Retainer Assy	A411
15	AM06212	Downtube/Retainer Assy	B402, B402T, B417T

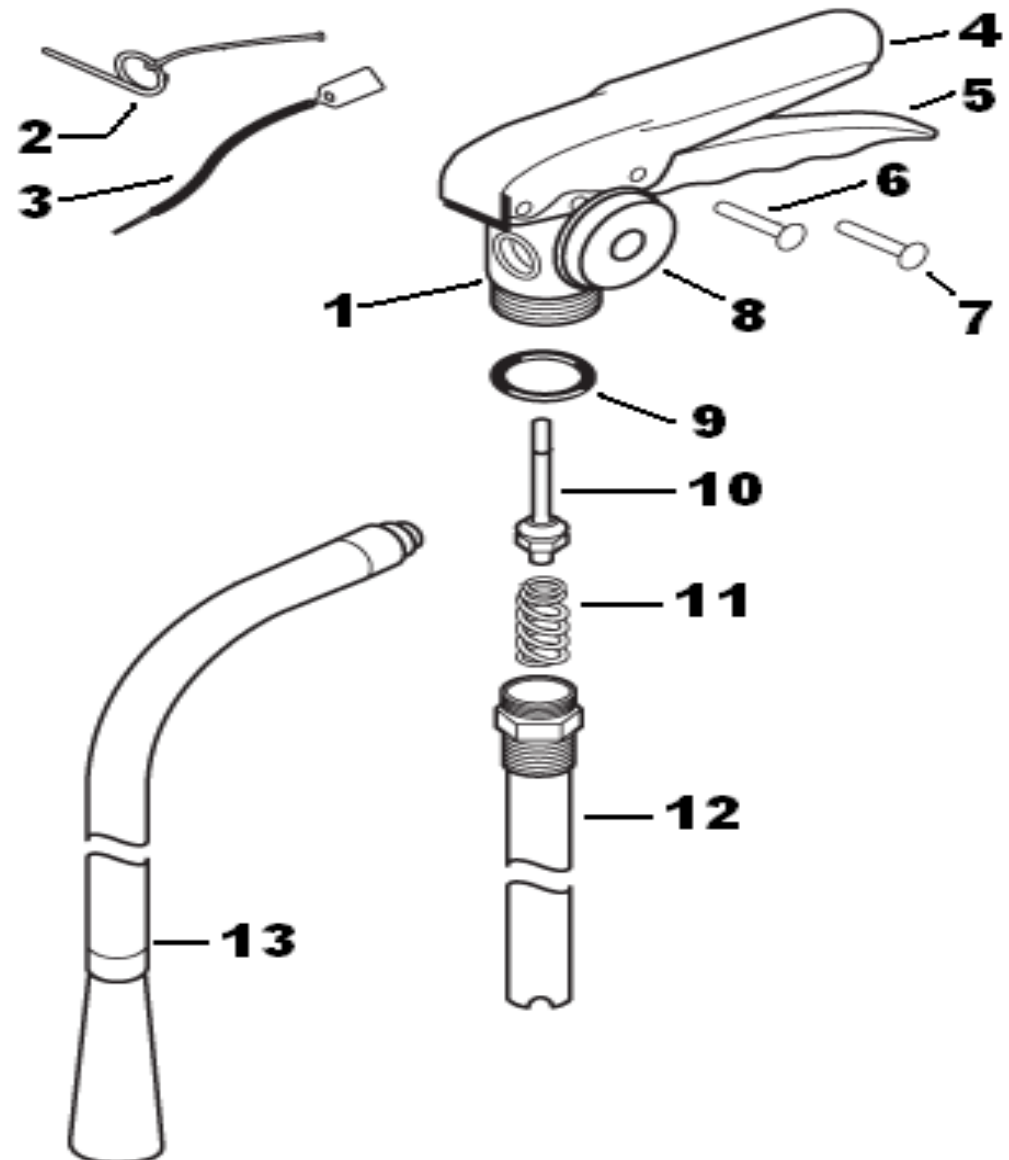


Applicable ABC Model(s)

Stock No.	AMEREX Model Number	Description
25ABCAM	B417T	2.5 lb. ABC w/Vehicle Bkt.
5ABCAM	B402	5 lb. ABC w/Wall Bkt.
5ABCVAM	B402T	5 lb. ABC w/Vehicle Bkt.
10ABCAM	B456	10 lb. ABC w/Wall Bkt.
20ABCAM	A411	20 lb. ABC w/Wall Bkt.

Amerex Class D Fire Extinguisher Pictogram

No.	Stock No.	Description
1	AM11952	Valve Body
2	L1	Pull Pin
2	NC532	Nylon Chain for pull pin
3	FESBL	Tamper Seal
4	AM07762	Lever & Rivet
5	AM09020	Handle & Rivet
6	AM01563	Lever Rivet only
7	AM01564	Handle Rivet only
8	K5	Gauge, 195 psi
9	215	Collar O-Ring
10	AM6093	Valve Stem Assembly
11	AM00383	Spring
12	AM02609	Siphon Tube
13	AM10744	Hose Assembly



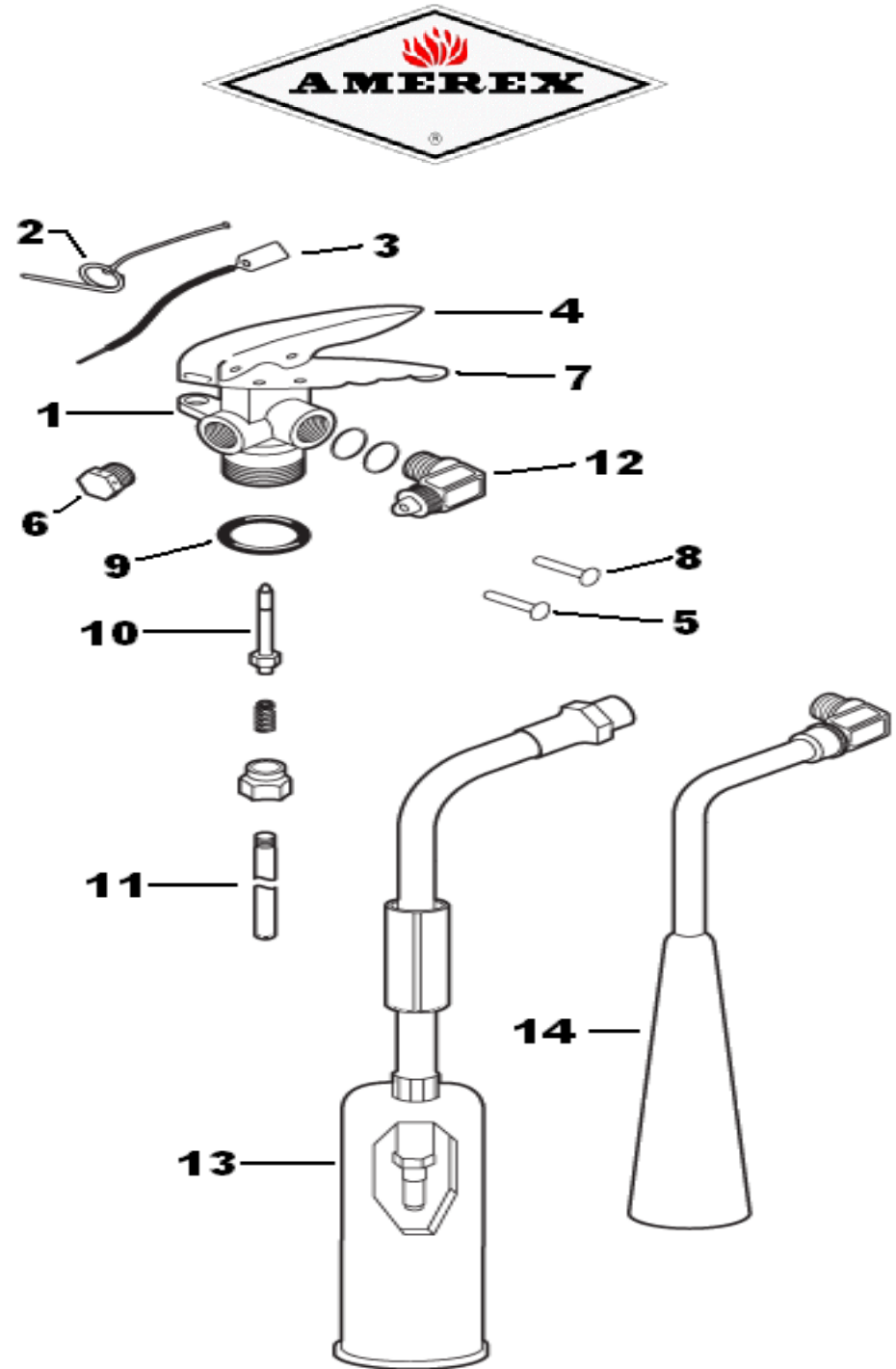
Applicable Class D Model(s)

Stock No.	AMEREX Model Number	Description
30DAM	B570	30 lb. Sodium Chloride w/Wall Hook

Amerex CO2 Fire Extinguisher Pictogram

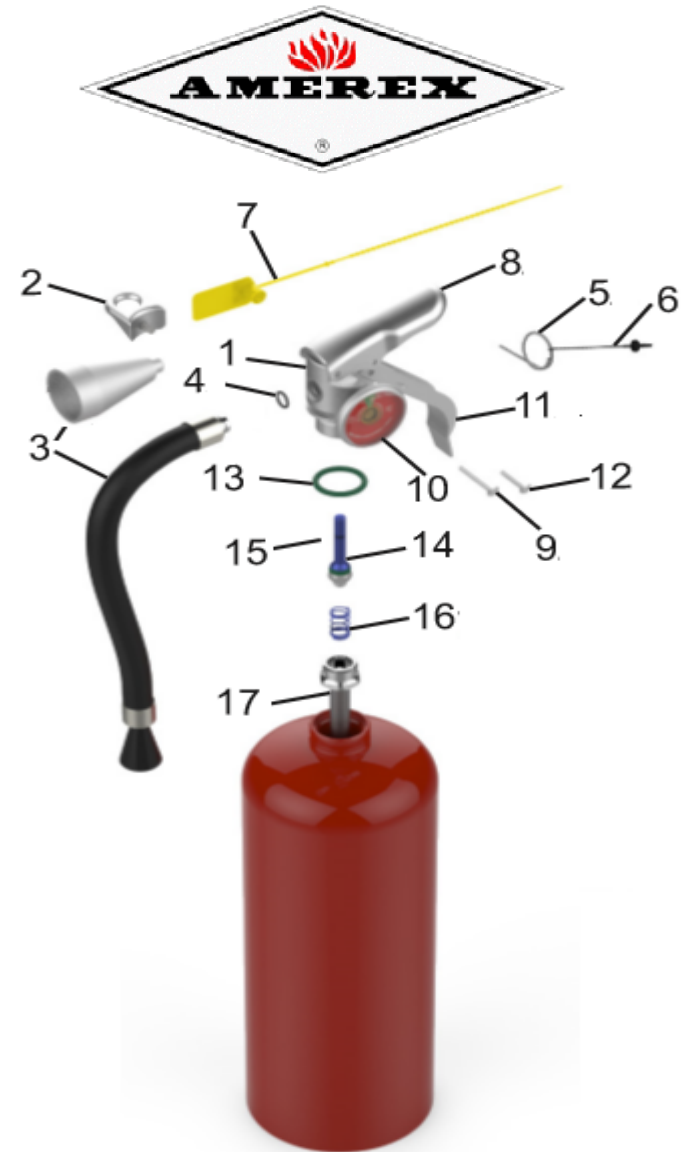
No.	Stock No.	Description	Model(s) used on.
1	AM03090	Valve Body	322, 330, 331 & 332
2	L1	Pull Pin	322, 330, 331 & 332
2	NC532	Nylon chain for pull pin	322, 330, 331 & 332
3	FESBL	Tamper Seal	322, 330, 331 & 332
4	AM07762	Lever & Rivet	322, 330, 331 & 332
5	AM01563	Rivet only for Lever	322, 330, 331 & 332
6	AM04000	Safety Disc, Gasket & Nut Assy.	322, 330, 331 & 332
7	AM09020	Handle & Rivet	322, 330, 331 & 332
8	AM01564	Rivet only for Handle	322, 330, 331 & 332
9	AM01124	Collar O-Ring	322, 330, 331 & 332
10	AM01539	Valve Stem	322, 330, 331 & 332
11	AM00564	Siphon Tube	330
11	AM00589	Siphon Tube	331 & 332
11	AM00533	Siphon Tube	322
12	AM02309	Elbow w/O-Ring & Spacer	330, 331 & 332
12	AM02735	Elbow w/O-Ring & Spacer	322
13	AM01782	Hose & Horn Assembly	330
13	AM01705	Hose & Horn Assembly	331 & 332
14	AM01769	Discharge Tube	322

Applicable CO2 Model(s)		
Stock No.	AMEREX Model Number	Description
5CO2AM	322	5 lb CO2 w/Wall Hook
10CO2AM	330	10 lb CO2 w/Wall Hook
15CO2AM	331	15 lb CO2 w/Wall Hook
20CO2AM	332	20 lb CO2 w/Wall Hook



Amerex Halotron I Fire Extinguisher Pictogram

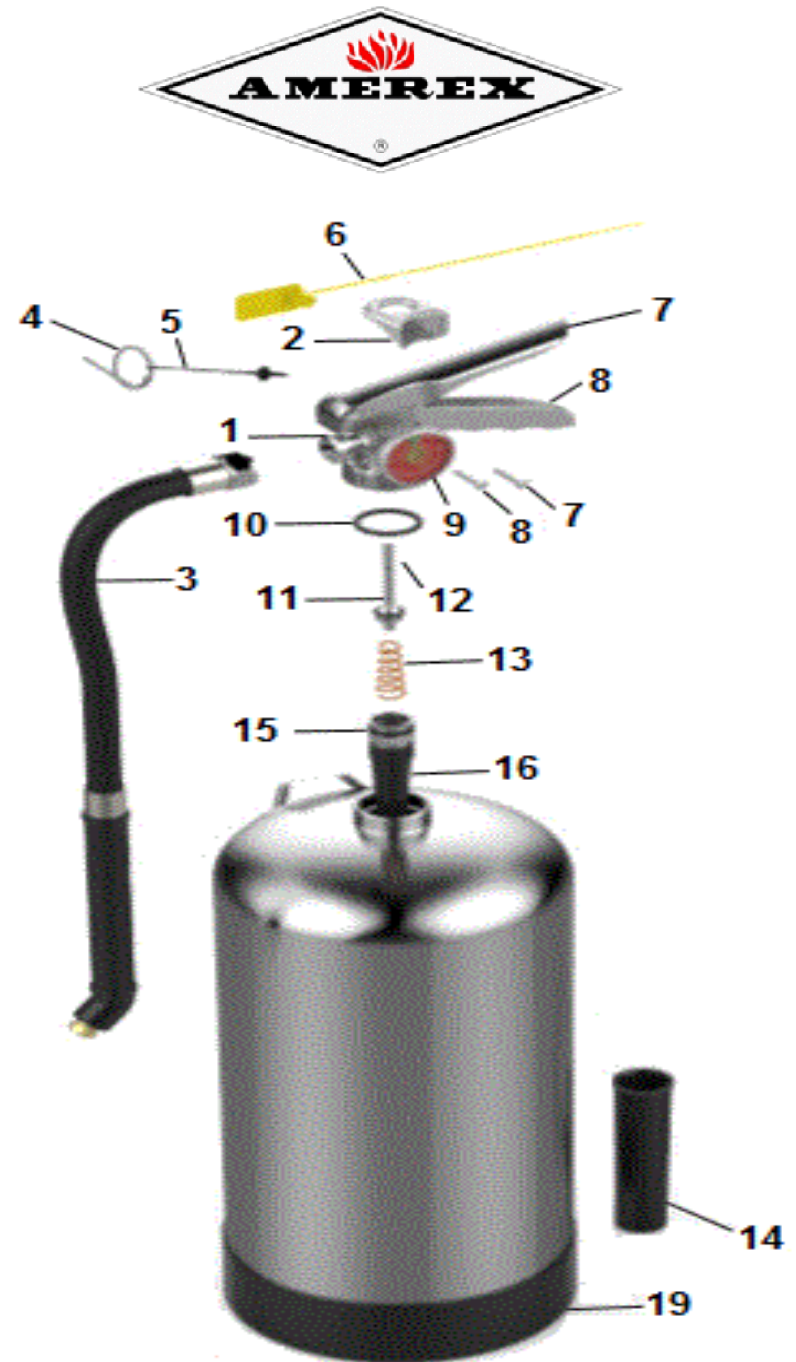
No.	Stock No.	Description	Model(s) used on.
1	AM14527	Valve Assembly	397 & 398
1	AM14526	Valve Assembly	B385TS & B386T
2	AM16694	Hanger Loop & Screw	397 & 398
3	AM14436	Hose & Nozzle Assy.	397
3	AM14449	Hose & Nozzle Assy.	398
3	AM14408	Nozzle (.166)	B385TS
3	AM14409	Nozzle (.277)	B386T
4	AM06978	O-Ring, Hose	397 & 398
4	AM01532	O-Ring, Nozzle	B385TS & B386T
5	L1	Pull Pin	All
6	NC532	Nylon Chain	All
7	FESBL	Tamper Seal	All
8	AM07762	Lever & Rivet	397 & 398
8	AM11825	Lever & Rivet	B385TS & B386T
9	AM01563	Rivet only for Lever	397 & 398
9	AM01060	Rivet only for Lever	B385TS & B386T
10	AM14418	Gauge 125 psi	397 & 398
10	K7	Gauge 100 psi	B385TS & B386T
11	AM09020	Handle & Rivet	397 & 398
11	AM09001	Handle & Rivet	B385TS & B386T
12	AM01564	Rivet only for Handle	397 & 398
12	AM01064	Rivet only for Handle	B385TS & B386T
13	AM13305	Collar O-Ring	397 & 398
13	AM14268	Collar O-Ring	B385TS & B386T
14	AM13288	Valve Stem Assembly	397 & 398
14	AM14327	Valve Stem Assembly	B385TS & B386T
15	AM05243	Valve Stem O-Ring	397 & 398
15	AM05235	Valve Stem O-Ring	B385TS & B386T
16	AM00383	Spring	397 & 398
16	AM01074	Spring	B385TS & B386T
17	AM15507	Downtube/Retainer Assy	397 & 398
17	AM06212	Downtube/Retainer Assy	B385TS & B386T



Applicable Halotron I Model(s)		
Stock No.	AMEREX Model Number	Description
25HAM	B385TS	2.5 lb Halotron I w/Vehicle Bkt
5HAM	B386T	5 lb Halotron I w/Vehicle Bkt
11HAM	397	11 lb Halotron I w/Vehicle Bkt
155HAM	398	15.5 lb Halotron I w/Vehicle Bkt

Amerex Wet Chem Fire Extinguisher Pictogram

No.	Stock No.	Description
1	AM14249	Valve Assembly
2	AM14380	Hanger loop
3	AM16043	6L Hose Assembly
4	L1	Pull Pin
5	NC532	Chain, Nylon
6	FESBL	Tamper Seal
7	AM07762	Lever & Rivet
8	AM09020	Handle & Rivet
9	K7	Gauge, 100 psi
10	215	Collar O-Ring
11	AM14878	Valve Stem Assembly
12	AM05243	Valve Stem O-Ring
13	AM00383	Spring
14	AM02595	Fill Tube
15	AM05690	O-Ring, Downtube
16	AM16266	Downtube Assembly, 6 ltr.
N/S	AM09492	Fill Adapter
N/S	AM03181	Hydrotest Adapter
19	AM03109	Footstand, Black



Applicable Wet Chem Model(s)

Stock No.	AMEREX Part Number	Description
6WCAM	B260	6 ltr Wet Chem Class K