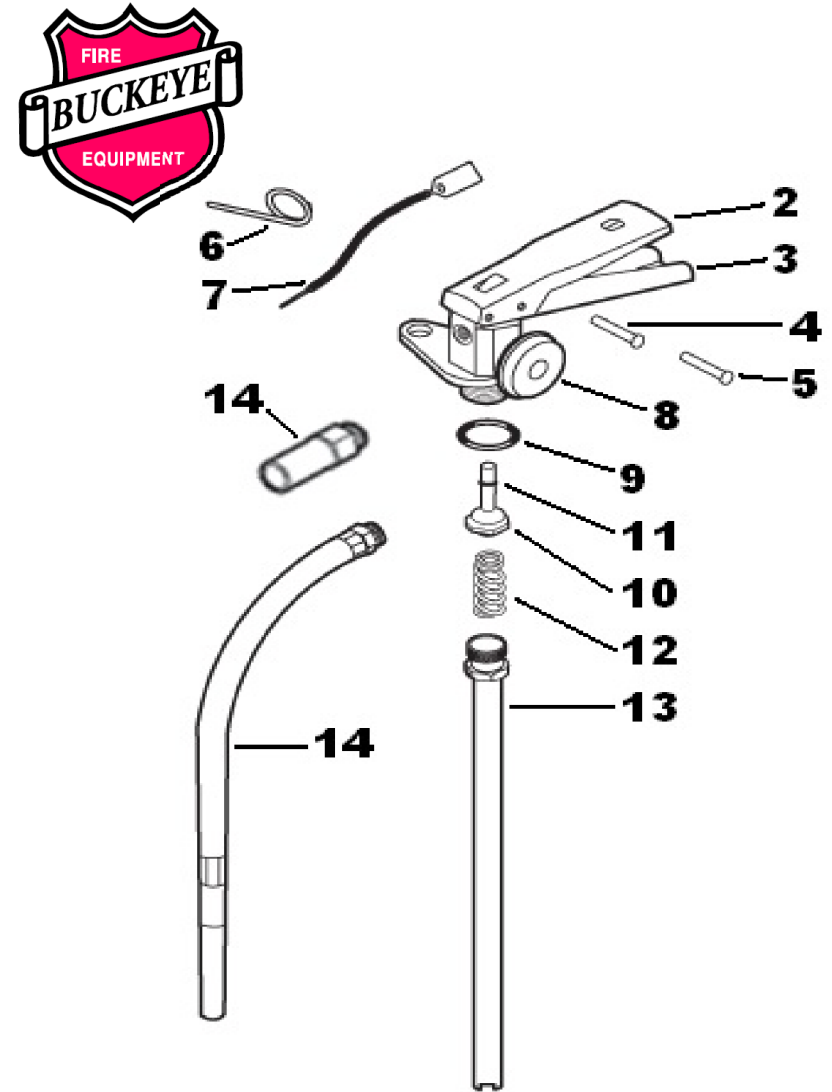


Buckeye ABC Fire Extinguisher Pictogram

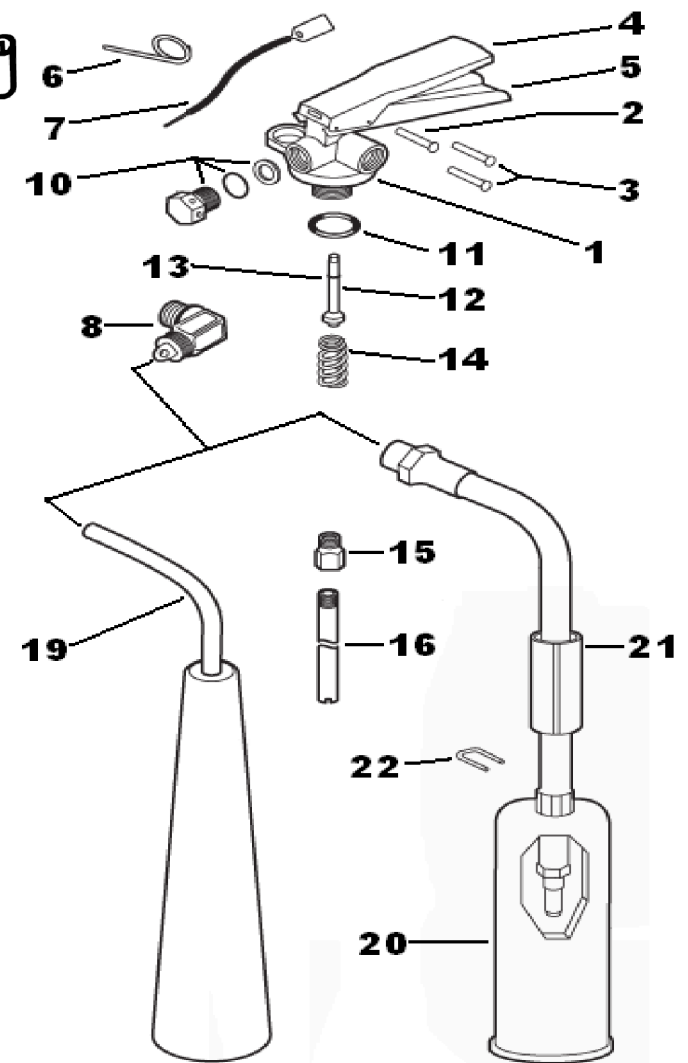
No.	Stock No.	Description	Model(s) used on.
N/S	BU149207	Valve Assy - No Gauge - Aluminum	13315, 10914, 25614, 11340 & 12120
N/S	BU149220	Valve Assy - No Gauge or Hookeye - Alum.	10914, 25614
N/S	BU100020	Valve Assy - No Gauge or Hookeye	13315
2	BU900214	Large Lever - Stainless Steel	13315, 10914, 25614, 11340 & 12120
2	BU900217	Small Lever	13315
3	BU900232	Large Handle - Stainless Steel	13315, 10914, 25614, 11340 & 12120
3	BU900218	Small Handle	13315
4	BU900053	Rivet for Lever - Stainless Steel	13315, 10914, 25614, 11340 & 12120
4	BU900050	Rivet for lever	13315
5	BU900052	Rivet for Handle - Stainless Steel	13315, 10914, 25614, 11340 & 12120
5	BU900049	Rivet for Handle	13315
6	L1	Pull Pin	13315, 10914, 25614, 11340 & 12120
7	FESBL	Tamper Seal	13315, 10914, 25614, 11340 & 12120
8	K5	Gauge - 195 psi	13315, 10914, 25614, 11340 & 12120
8	K7	Gauge - 100 psi	13315
9	BU900001	Neck O-Ring	13315, 10914, 25614, 11340 & 12120
10	BU103215	Valve Stem with O-Ring	13315, 10914, 25614, 11340 & 12120
11	BU900002	Stem O-Ring	13315, 10914, 25614, 11340 & 12120
12	BU900105	Spring	13315, 10914, 25614, 11340 & 12120
13	BU900960	Siphon Tube Assembly	10914, 25614
13	BU900971	Siphon Tube Assembly	11340
13	BU900963	Siphon Tube Assembly	11340
13	BU900972	Siphon Tube Assembly	12120
13	BU900985	Siphon Tube/Nut Assembly	13315
14	BU109267	Hose/Nozzle Assembly 0.128	10914, 25614
14	BU113277	Hose/Nozzle Assembly 0.144	11340
14	BU116200	Hose/Nozzle Assembly 0.157	12120
14	BU101145	Fixed Nozzle, .140	13315
14	BU110125	Fixed Nozzle, .125	13315



Applicable ABC Model(s)		
Stock No.	Buckeye Model Number	Description
25ABCBU	13315	2 ½ lb ABC w/Vehicle Bracket
5ABCBU	10914	5 lb ABC w/Wall Bracket
5ABCVB	25614	5 lb ABC w/Vehicle Bracket
10ABCBU	11340	10 lb ABC w/Wall Bracket
20ABCBU	12120	20 lb ABC w/Wall Bracket

Buckeye CO2 Fire Extinguisher Pictogram

No.	Stock No.	Description	Model(s) used on.
1	BU900302	Valve Body	45100, 45600, 46100 & 46600
2	BU900053	Rivet for Lever	45100, 45600, 46100 & 46600
3	BU900052	Rivets for handle (2 Rqd)	45100, 45600, 46100 & 46600
4	BU900322	Lever	45100, 45600, 46100 & 46600
5	BU900919	Handle	45100, 45600, 46100 & 46600
6	L1	Pull Pin & Cord	45100, 45600, 46100 & 46600
7	FESBL	Tamper Seal	45100, 45600, 46100 & 46600
8	BU455202	Elbow with O-Ring	45600, 46100 & 46600
8	BU450202	Elbow with O-Ring	45100
N/S	BU900331	Elbow O-Ring	45100, 45600, 46100 & 46600
10	BU200081	Safety Disc, Gasket & Nut Assy.	45100, 45600, 46100 & 46600
11	BU900329	Neck O-Ring	45100, 45600, 46100 & 46600
12	BU103215	Valve Stem, With O-Ring	45100, 45600, 46100 & 46600
13	BU900328	Stem O-Ring	45100, 45600, 46100 & 46600
14	BU900319	Spring	45100, 45600, 46100 & 46600
15	BU450239	Siphon Tube Retainer	45100, 45600, 46100 & 46600
16	BU450240	Siphon Tube - 12 5/8Ah	45100
16	BU455240	Siphon Tube - 15 1/8Ah	45600
16	BU460240	Siphon Tube - 21 5/8Ah	46100 & 46600
N/S	BU700324	Hose Band	45600
N/S	BU700323	Hose Band	46100
N/S	BU700325	Hose Band	46600
N/S	BU700100	Hose Clip (Includes screw, nut & spacer)	45600, 46100 & 46600
19	BU900310	Swivel - Discharge Tube	45100
20	BU900313	Horn	45100
20	BU900314	Horn	45600, 46100 & 46600
21	BU453231	Hose/Nozzle Assy.	45600, 46100 & 46600
22	BU900316	Retaining Pin	45600, 46100 & 46600
N/S	H5	Wall Hook (5 - 5 1/4 Ah Dia Cylinder)	45100
N/S	H15	Wall Hook (6 1/2 - 7 1/4 Ah Dia Cylinder)	45600 & 46100
N/S	H20	Wall Hook (8Ah Dia Cylinder)	46600

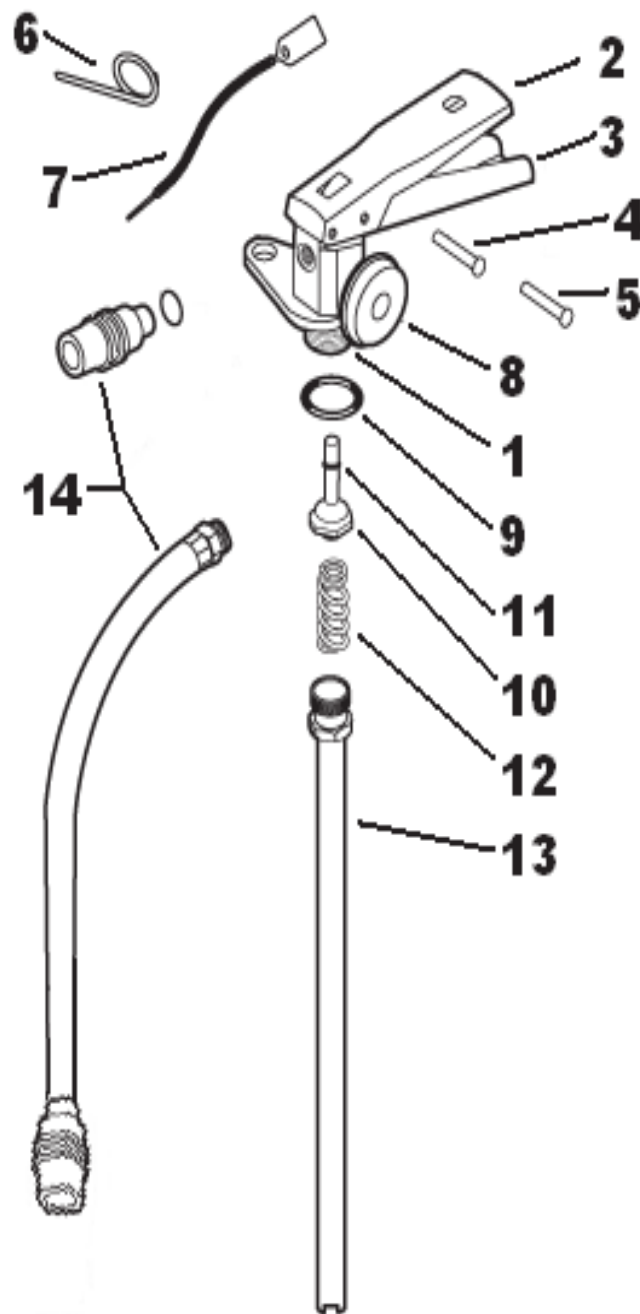


Applicable CO2 Model(s)

Stock No.	Buckeye Model Number	Description
5CO2BU	45100	5 lb CO2 w/Wall Hook
10CO2BU	45600	10 lb CO2 w/Wall Hook
15CO2BU	46100	15 lb CO2 w/Wall Hook
20CO2BU	46600	20 lb CO2 w/Wall Hook

Buckeye Halotron Fire Extinguisher Pictogram

No.	Stock No.	Description	Model Used On
1	BU149207G	Valve Assy., No Gauge, Aluminum	71550
1	BU200025G	Valve Assy., No Gauge	70258
2	BU900217	Small Lever	70258
2	BU900210	Large Lever, Aluminum	70510, 71100 & 71550
3	BU900218	Small Handle	70258
3	BU900228	Large Handle, Aluminum	70510, 71100 & 71550
4	BU900050	Rivet for Alum. Lever	70258, 70510, 71100 & 71550
5	BU900049	Rivet for Alum. Handle	70258, 70510, 71100 & 71550
6	L1	Pull Pin Cord Assembly	70258, 70510, 71100 & 71550
7	FESBL	Tamper Seal	70258, 70510, 71100 & 71550
8	BU900017	Gauge, 100 psi	70258, 70510 & 71100
8	BU900025	Gauge, 125 psi	71550
9	BU900013	Neck O-Ring	70258, 70510, 71100 & 71550
10	BU103216	Valve Stem w/O-Ring	70258, 70510, 71100 & 71550
11	BU900002	Stem O-Ring	70258, 70510, 71100 & 71550
12	BU900105	Spring	70258, 70510, 71100 & 71550
13	BU402130G	Siphon Tube, 3/4" x 12 5/16Ah	70510
13	BU410255G	Siphon Tube, 3/4" x 13 9/16Ah	71100 & 71550
13	BU401255G	Siphon Tube, 3/4" x 9 3/8Ah	70258
14	BU116128G	Fixed Nozzle, .128	70258
14	BU116197G	Fixed Nozzle, .197	70510
14	BU113357G	Hose Nozzle Assembly, .302	71100
14	BU113358G	Hose Nozzle Assembly, .401	71550
14	BU113359G	Hose Nozzle Assembly, .401	71550



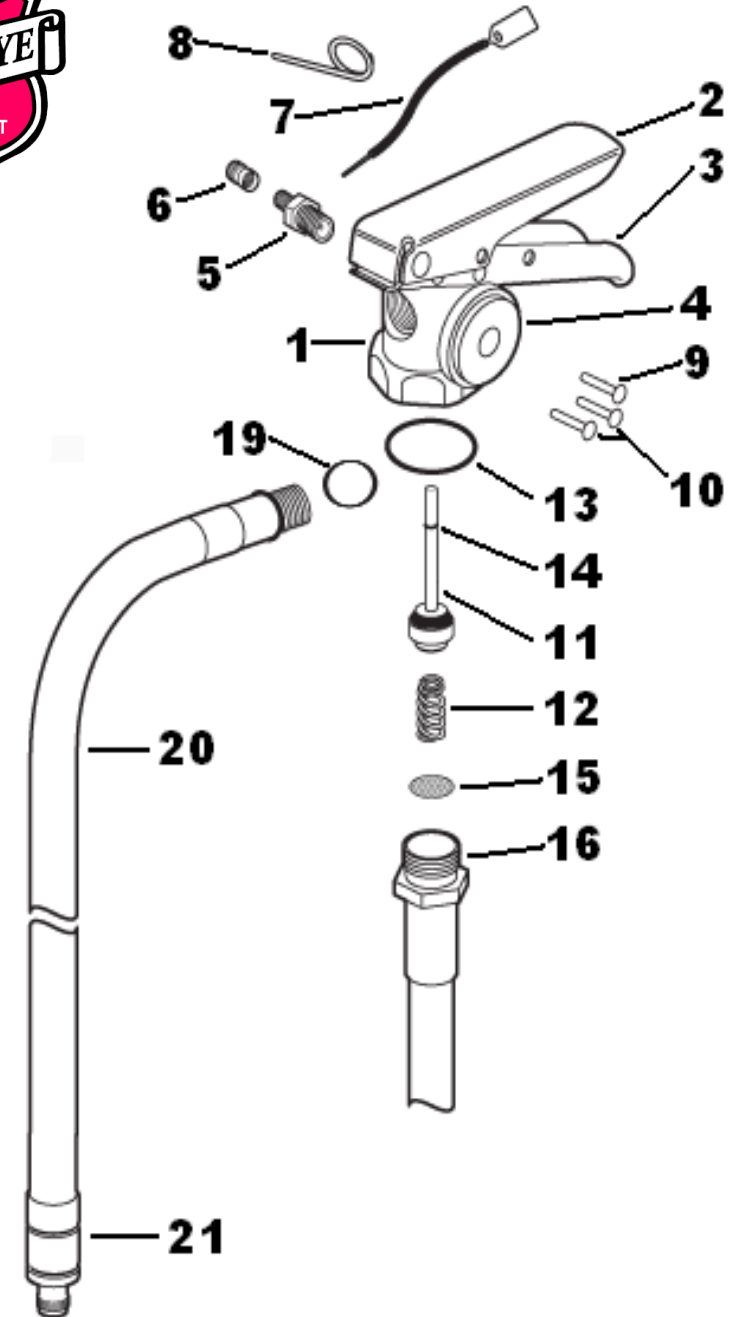
Applicable Halotron Model(s)

Stock No.	Buckeye Model Number	Description
25HBU	700258	2 ½ LB Halotron w/Wall hook
5HBU	70510	5 lb Halotron w/Wall Hook
11HBU	71100	11 lb Halotron w/Wall Hook
155HBU	71550	15.5 lb Halotron w/Wall Hook

Buckeye Wet Chem Fire Extinguisher Pictogram



No.	Stock No.	Description
1	BU900913	Valve Body Assembly
2	BU900322	Lever
3	BU900919	Handle
4	BU900920	Gauge
5	BU900133	Schrader Valve w/Cap
6	BU900136	Schrader Valve Cap
7	FESBL	Tamper Seal
8	L1	Pull Pin
9	BU900053	Lever Rivet
10	BU900052	Handle Rivet (2 Rqd)
11	BU900921	Valve Stem Assy. W/O-Ring
12	BU900928	Spring
13	BU900916	Valve Body O-Ring
14	BU900925	Valve Stem O-Ring
15	BU900930	Discharge Tube O-Ring
16	BU300465	Discharge Tube w/O-Ring
N/S	BU300489	Hose Band
19	BU900941	Hose O-Ring
20	BUWC6LDA	Discharge Assy. w/Nozzle
21	BUNOZ001WCA	Nozzle Assembly



Applicable Wet Chem Model(s)

Stock No.	Buckeye Part Number	Description
6KBU	50006	6 ltr Wet Chem Class K